



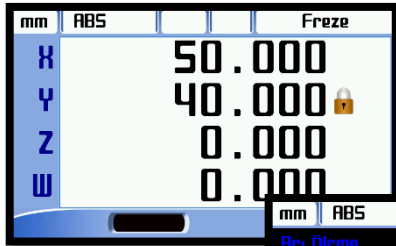
- 2, 3 or 4 Axis
- User Designated Resolution
- USB or RS232 Port Option
- Open Collector Outputs
- 2D Simulations
- Angle Measurement
- 24 VAC/VDC or 85 – 265 VAC Supply
- 1.000 Coordinate Memory
- 5 Language Options

New LCD DRO, ADR-50 Series Digital Readouts can meet the application in all machine tools with maximum performance and it includes features that are essential for increasing productivity. 5 different language choice is existed as Turkish, English, German, Spanish and Portuguese. USB or RS232 port connection available. Functions can be used with 2D simulations.

ADR 50 has 6 Open Collector outputs. Every output can be used with a choosen axis.

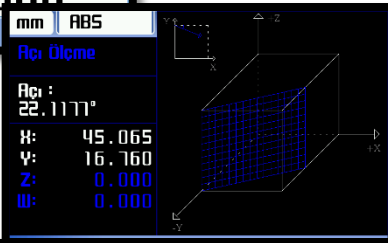
### Technical Specifications

Number Of Axis	2, 3, 4
Display	Color LCD
Display Resolution	User can designate as requested
Input Signal	Available Push Pull or TTL A,B,Z (Line Driver A, B, Z, /A, /B, /Z) Incremental Encoder Signals
Weight	~ 2,7 Kg
Power Supply	85 – 265 VAC 50/60 Hz. or 24 VAC/VDC
Storage Temperature	- 25 ~ 65 °C
Operation Temperature	-10 ~ 45 °C
Relative Humidity	%20 - %85
Dimensions (H x W x T)	202mm x 320mm x 84mm
Housing	Aluminum Injection Housing



- ✓ Rectengular Pocket
- ✓ Bolt Hole
- ✓ Linear Pattern

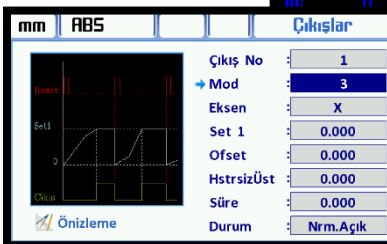
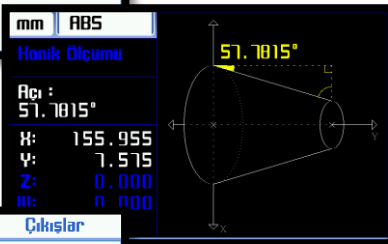
- ✓ Radius
- ✓ Taper Measure
- ✓ Angle Measure



- ✓ Erosion
- ✓ User Modes
- ✓ Shrink



- ✓ Error Compensation
- ✓ Axis Summary
- ✓ Diameter Mode



And more functions...

### Order Code

#### Model

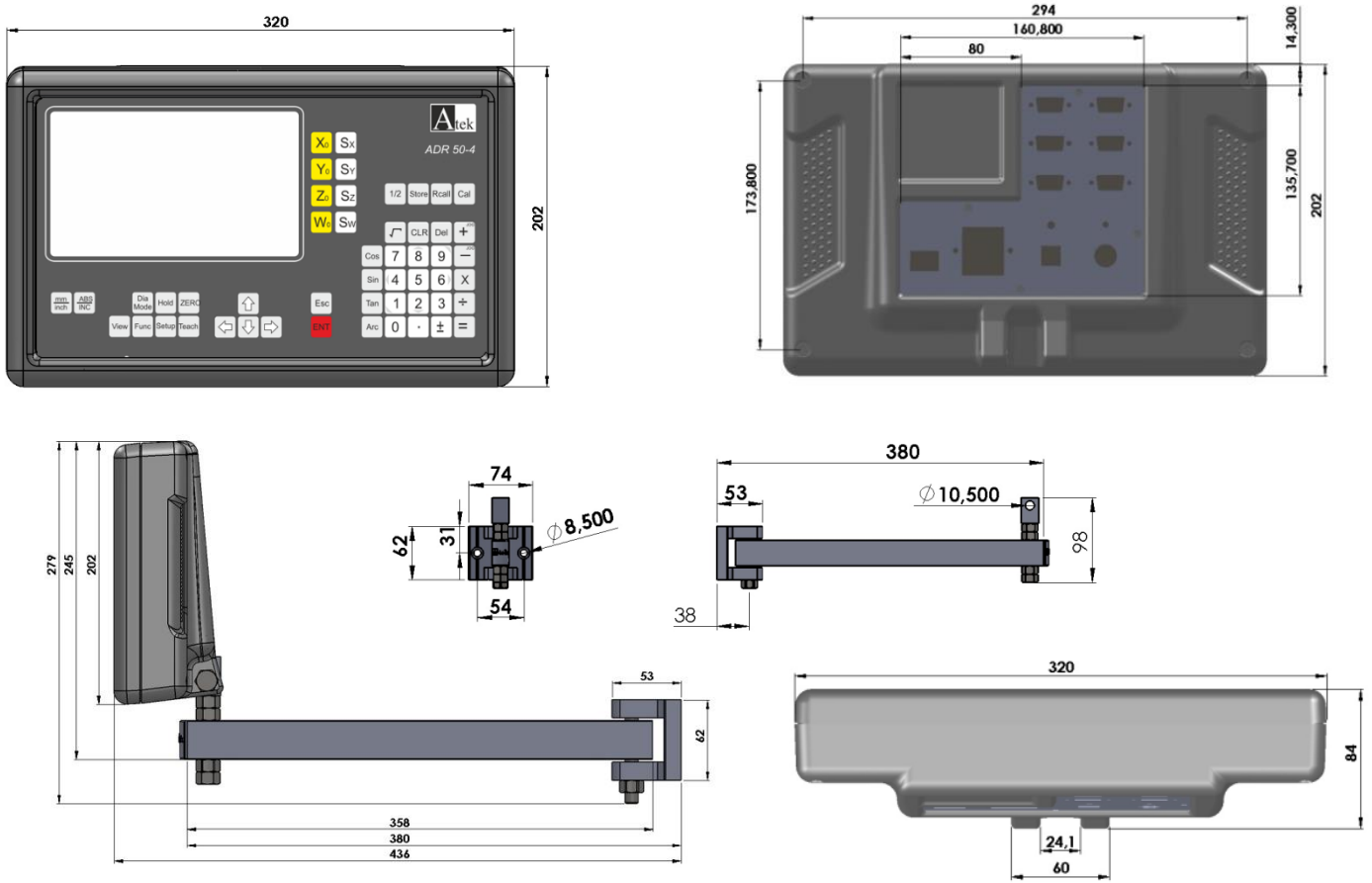
A D R 5 0 - X

#### Axis Number

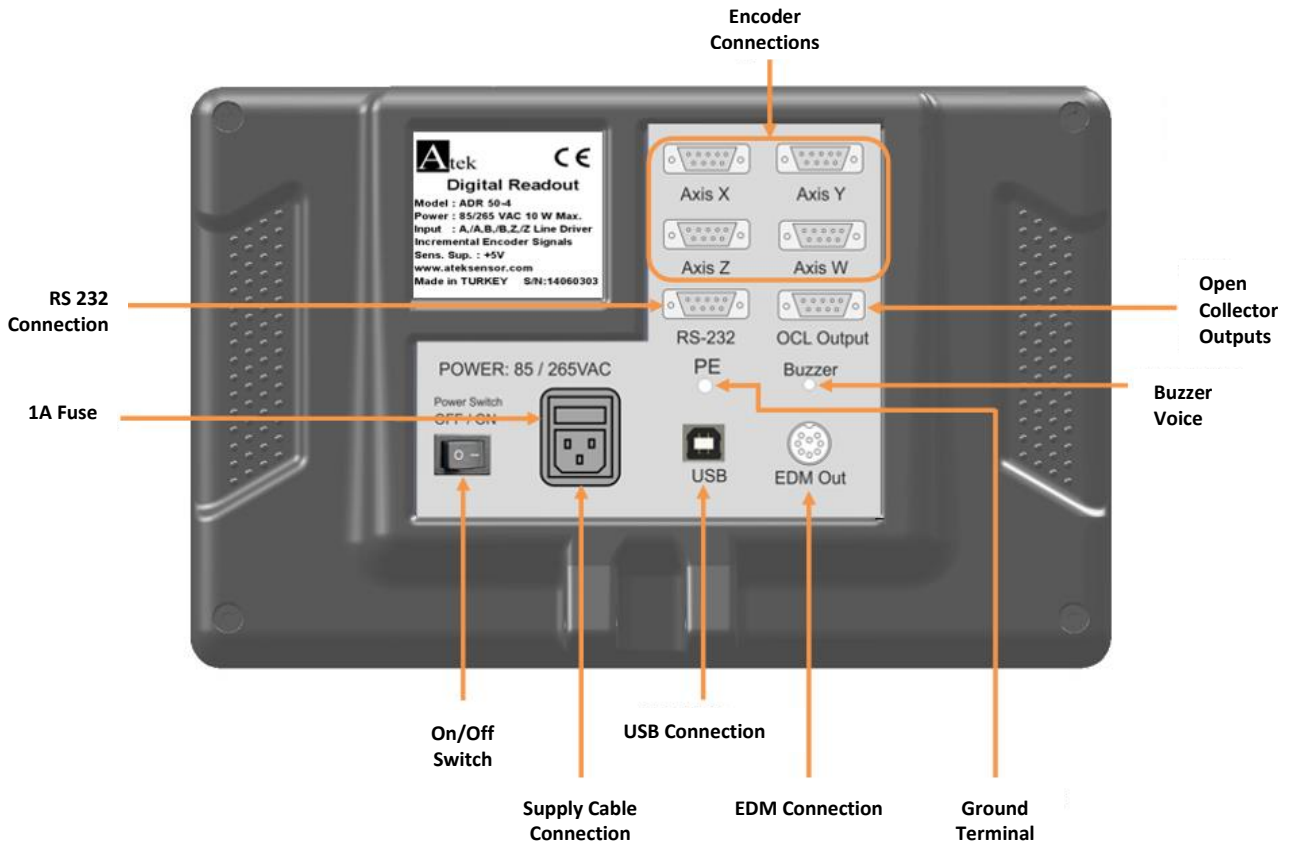
- 2 : 2 Axis
- 3 : 3 Axis
- 4 : 4 Axis



## Mechanical Dimensions



## Connections



## Atek Sensor Technology A.S.



**Iran agent**

Tel: 021 6682 4134  
Fax: 021 66390 551  
www. at5 . ir

Tuzla KOSB Organize Sanayi Bolgesi Melek Aras Bulvari No:67 PK:34956 Tuzla / Istanbul - TURKEY  
Tel: +90 216 399 44 04 Fax: +90 216 399 44 02  
[www.alfasanayi.com](http://www.alfasanayi.com) [info@alfasanayi.com](mailto:info@alfasanayi.com)