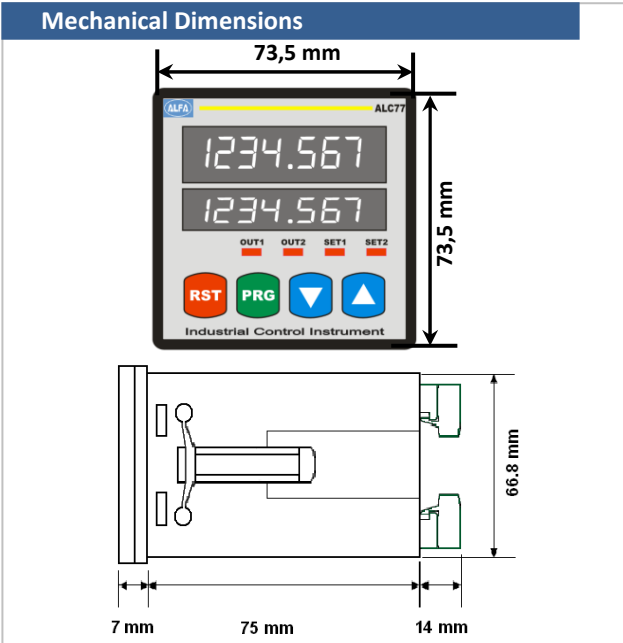




- 600 KHz High Speed Input Frequency
- 2 Lines, 7 Digits
- Functional External Z (Reset) Input
- Functional External Hold Input
- Quadrature Mode Up-Down Counter
- Prescale Can Be Adjustable (0,000001 – 9999999)
- 5 VDC or 12 VDC Encoder Power Output
- 11 Different Control Modes
- Offset Value
- Password Protection

The ALC77 Series universal programmable instruments count signals from rotary encoders, linear encoders, limit switches. ALC77 secures high accuracy, stability and easy operation of the instrument.



Technical Specifications

Power Supply	24 VAC/DC 50/60 Hz 85-265 VAC 50/60 Hz
Power Consumption	5,5 VA / 4,4 W Maximum
Sensor Power Supply	5 VDC 100 mA (TTL Sensor) 12 VDC 100 mA (Push-Pull Sensor)
Wiring	2,5 mm ² Socket Terminal
Inputs	A/B Encoder Pulse Input (600 KHz) Z(External Reset) Input(EDGE can be selected by Menu) Hold Input (EDGE can be selected by Menu)
Outputs (Relays)	2 pcs 250 VAC 3A (For resistive load) Relay
Dimensions	72 x 72 x 96 mm
Weight	300 grams
Relative Humidity	Up to 31 °C %80, above 31 °C linear decreasing and at 40°C %50
Storage Temperature	-10 to 60 °C
Operating Temperature	0 to 50 °C
Protection Class	IP60 Front Panel, IP20 Rear Panel

Connection

