



- Optical Principle
- Incremental measurement
- 30 up to 42 mm shaft diameters
- 1.024 pulse standard resolutions
- 300 KHz response frequency
- 100 mm body size

### TECHNICAL SPECIFICATIONS

Process Temperature	- 25 to 85 °C
Stock Temperature	- 40 to 100 °C
Body Diameter	100 mm
Response Frequency	300 KHz
Operating Speed	3.000 RPM max.
Shaft Diameter	30 mm, 32 mm, 38 mm, 40 mm, 42 mm

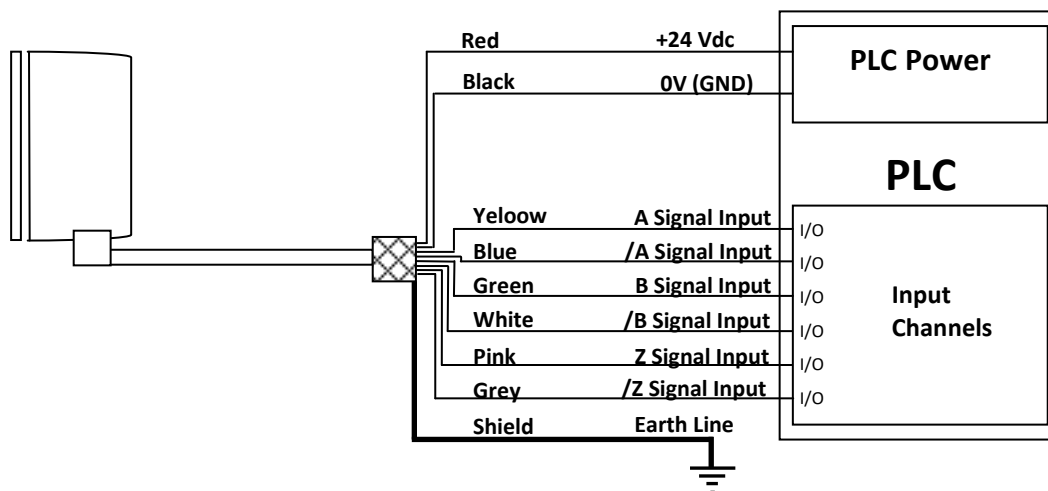
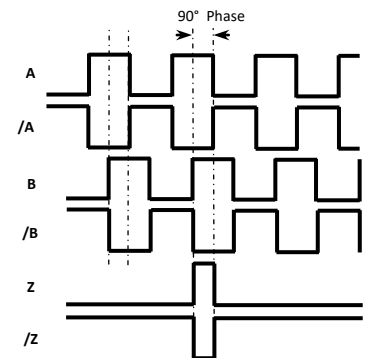
### ELECTRICAL SPECIFICATIONS

Supply Voltage	+5 VDC, +10VDC...30VDC
Supply Current	50mA Nominal
Output Type	Push Pull, TTL Line Driver, Open Collector
Output Signals	A, /A, B, /B, Z, /Z
Output Current	100mA max. (Every Channel)
Connection	5 or 8 x 0,14 mm <sup>2</sup> Cable with Shield

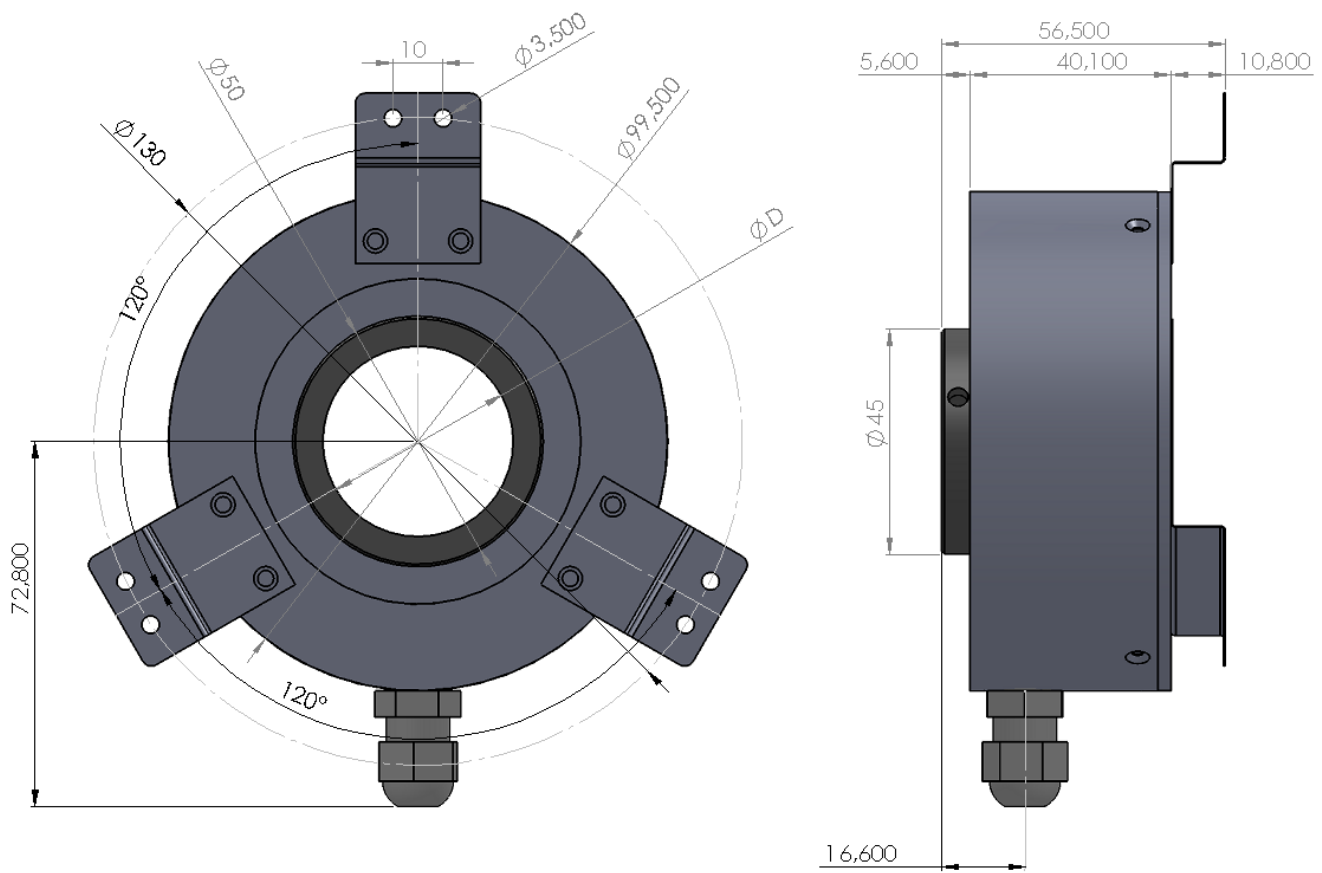
### OUTPUT SIGNALS

PIN NO	SIGNAL	CABLO COLOR
1	A	YELLOW
2	/B	WHITE
3	+V	RED
4	0 V	BLACK
5	/A	BLUE
6	B	GREEN
7	/Z	GREY
8	Z	PINK
9	GROUND	SHIELD

The cable colors of the output signals of the left table sensor are given. If the control circuit is available, the output signals (/ A, / B, / Z) of the Line Driver sensors must be included in the system. If the control circuit is not available, the wires of the A, / B, / Z signals must be fixed separately. It should not be forgotten that there is electricity also at these edges.



## MECHANICAL DIMENSIONS



## ORDER CODING

Series	Body Size	Resolutions	Power Supply and Output	Output Signals	Cable Length	Hole Diameter	Flange Type	
ARC : Optical	100 : 100 mm	1024 : 1024 Pulse	<b>PP</b> : 10...30 VDC Supply : 10...30VDC Output <b>TTL</b> : 5 VDC Supply : 5 VDC TTL Output <b>HTL</b> : 10...30 VDC Supply : 5 VDC TTL Output <b>HPL</b> : 5...30 VDC Supply : 5...30 VDC Push-Pull Output <b>OCL</b> : NPN Open Collector <b>OCP</b> : PNP Open Collector	<b>3</b> : A, B, Z <b>6</b> : A, /A, B, /B, Z, /Z	<b>3M</b> : 3M (Standard) <b>5M</b> : 5M <b>8M</b> : 8M <b>10M</b> : 10M * Optional up to 35 meters	<b>30</b> : 30 mm <b>32</b> : 32 mm <b>38</b> : 38 mm <b>40</b> : 40 mm <b>42</b> : 42 mm	<b>FZ</b> : "Z" Type Flange	
<b>ARC</b>	<b>H</b>	<b>100</b>	<b>XXX</b>	<b>XXX</b>	<b>X</b>	<b>XM</b>	<b>X</b>	<b>XX</b>
<b>Shaft Type</b> H : Hollow Shaft								