

- Optical or magnetic principle
- Incremental measurement
- 6, 8, 10 mm hole diameters
- 4 to 10.000 pulses resolution
- 300 KHz replying frequency

TECHNICAL SPECIFICATIONS

| | |
|---------------------|---|
| Process Temperature | - 25 to 85 °C |
| Stock Temperature | - 40 to 100 °C |
| Protection Class | IP54 |
| Replying Frequency | 300 KHz |
| Working Speed | Optical: 6.000 RPM max. Magnetic: 3.000 RPM max. |
| Hole Diameter | 6 mm, 8 mm, 10 mm |

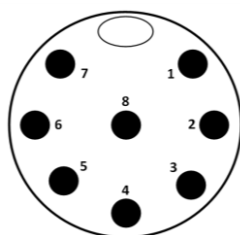
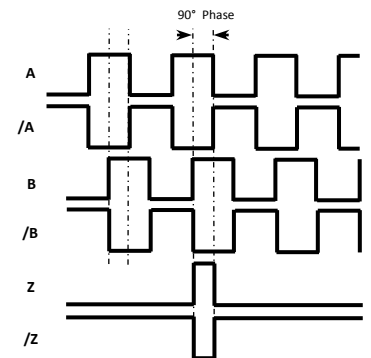
ELECTRICAL SPECIFICATIONS

| | |
|----------------|---|
| Supply Voltage | +5 VDC, +10VDC...30VDC |
| Supply Current | 50mA Nominal |
| Output Type | Push Pull, TTL Line Driver, Open Collector (Optical) |
| Output Signals | A, /A, B, /B, Z, /Z |
| Output Current | 100mA max. (Every Channel) |
| Connection | 5 or 8 x 0,14 mm ² Cable with shield |

OUTPUT SIGNALS

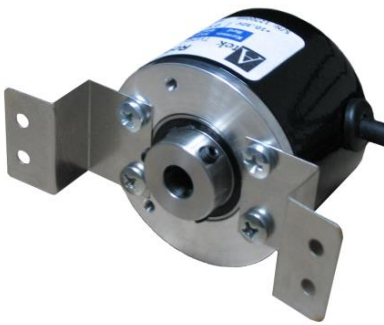
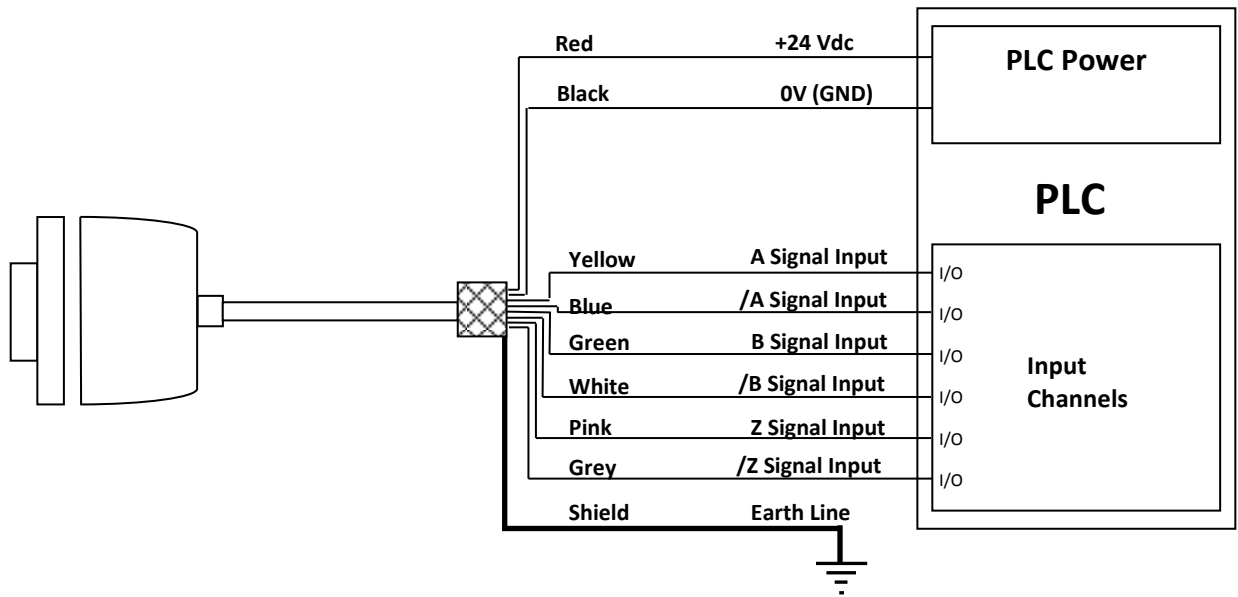
| PIN NO | SIGNAL | CABLE COLOR |
|--------|--------|-------------|
| 1 | A | YELLOW |
| 2 | /B | WHITE |
| 3 | +V | RED |
| 4 | 0 V | BLACK |
| 5 | /A | BLUE |
| 6 | B | GREEN |
| 7 | /Z | GREY |
| 8 | Z | PINK |
| 9 | GROUND | SHIELD |

In the left tablet he cable colors of sensors output signals are given. If the control circuit is suitable in the Line Driver sensors of the not output signals (/A, /B, /Z) have to be added to the system. If it is not suitable /A, /B, /Z signal cables must be fixed as insulated separately. Don't forget that these edges have electricity too.



| S16 PIN NO | SIGNAL | CABLE COLOR |
|------------|--------|-------------|
| 1 | A | YELLOW |
| 2 | /B | WHITE |
| 3 | +V | RED |
| 4 | 0 V | BLACK |
| 5 | /A | BLUE |
| 6 | B | GREEN |
| 7 | /Z | GREY |
| 8 | Z | PINK |
| | GROUND | SHIELD |

SAMPLE APPLICATION



FZ - "Z" Type Flange



FC - Circular Flange



S16 (M16, 8Pin)
Socket Connector



Backside Poliemid
Spiral

ORDER CODING

Series

ARC : Optical
ARS : Magnetic

Body Diameter

50 : 50 mm

Power Supply and Output

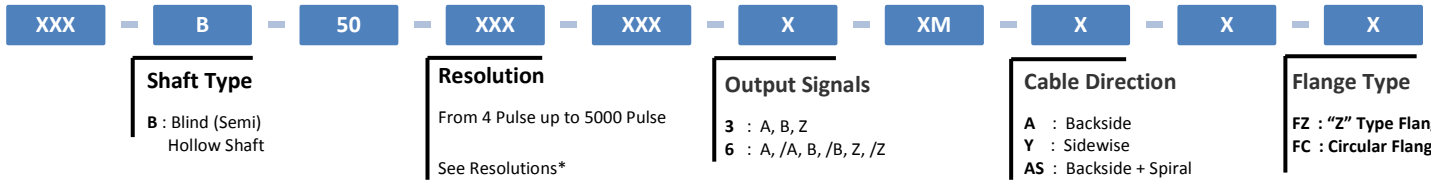
PP : 10...30 VDC Supply
 : 10...30VDC Output
 TTL : 5 VDC Supply
 : 5 VDC TTL Output
 HTL : 10...30 VDC Supply
 : 5 VDC TTL Output
 HPL : 5...24 VDC Supply
 : 5...24 VDC Push-Pull Output
 OCL : Open Collector (Only Optical)

Cable Length

3M : 3M (Standard)
 5M : 5M
 8M : 8M
 10M : 10M
 S16 : M16, 8 Pin Socket
 (Only Backside)
 *Optional up to 35 meters

Hole Diameter

6 : 6 mm
 8 : 8 mm
 10 : 10 mm



***Resolutions:**

Optical: 100 - 360 - 500 - 1024 - 2048 (Optional other)
Magnetic: 4 - 8 - 16 - 20 - 25 - 32 - 40 - 50 - 64 - 80 - 100 - 125 - 128 - 200 - 250 - 256 - 400 - 500 - 512 - 800 - 1000 - 1024 - 2048 - 3600 - 4096 - 5000 (Optional other)

Example Coding:

ARC-B-50-1024-PP-6-10M-A-10-FZ
 Optical, Semi Hollow Shaft, 50 mm body diameter, 1024 pulse, Push-Pull, 6 Output Signals, Backside 10 meters cable, 10 mm hole diameter, Z type flange rotary encoder

Atek Sensor Technology A.S.



Iran agent

Tel: 021 6682 4134
 Fax: 021 66390 551
 www. at5 . ir

Tuzla Kimya Sanayicileri Org. San. Bolg. Melek Aras Bulvari, No:67 34956 Tuzla - Istanbul / TURKEY

Tel: +90 216 399 44 04 Fax: +90 216 399 44 02

www.ateksensor.com info@ateksensor.com