



- Optical principle
- Incremental measurement
- 6, 8 or 10 mm hole diameters
- Resolution options from 60 to 5000 pulses \*
- 300 KHz response frequency
- 50 mm Body diameter

## TECHNICAL SPECIFICATIONS

Process Temperature	- 25 to 85 °C
Stock Temperature	- 40 to 100 °C
Body Diameter	50 mm
Response Frequency	300 KHz
Operating Speed	6.000 RPM max.
Hole Diameter	6 mm, 8 mm, 10 mm

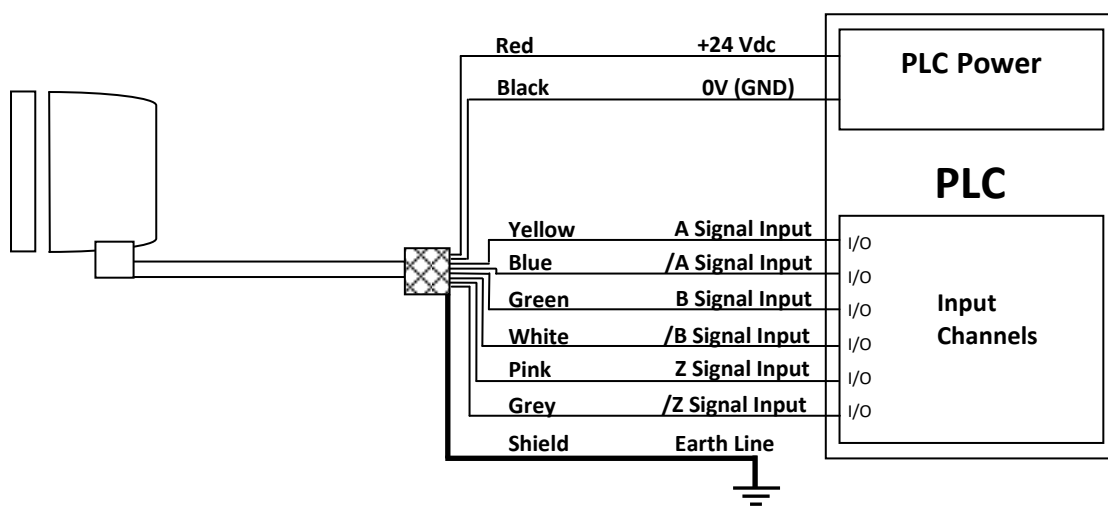
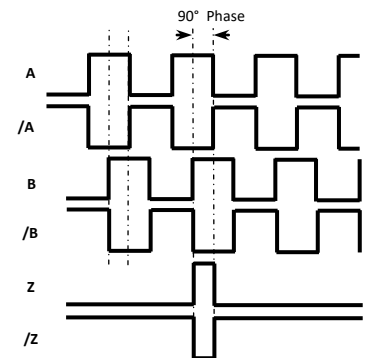
## ELECTRICAL SPECIFICATIONS

Supply Voltage	+5 VDC, +10VDC...30VDC
Supply Current	50mA Nominal
Output Type	Push Pull, TTL Line Driver, Open Collector
Output Signals	A, /A, B, /B, Z, /Z
Output Current	100mA max. (Every Channel)
Connection	5 or 8 x 0,14 mm <sup>2</sup> Cable with shield

## OUTPUT SIGNALS

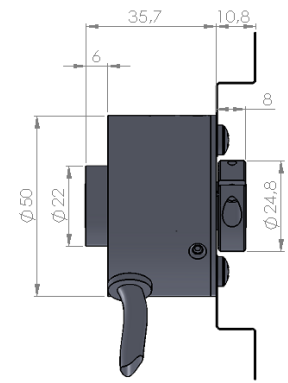
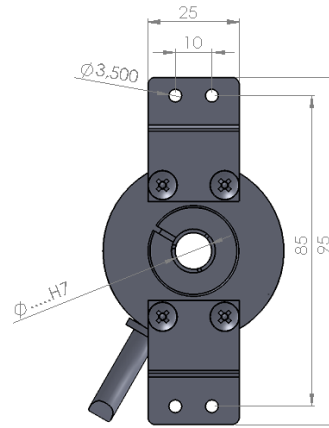
PIN NO	SIGNAL	CABLE COLOR
1	A	YELLOW
2	/B	WHITE
3	+V	RED
4	0 V	BLACK
5	/A	BLUE
6	B	GREEN
7	/Z	GREY
8	Z	PINK
9	GROUND	SHIELD

The cable colors of the output signals of the left table sensor are given. If the control circuit is available, the output signals (/ A, / B, / Z) of the Line Driver sensors must be included in the system. If the control circuit is not available, the wires of the A, / B, / Z signals must be fixed separately. It should not be forgotten that there is electricity also at these edges.

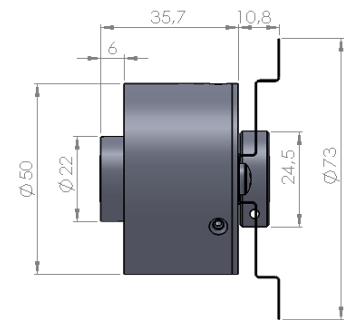
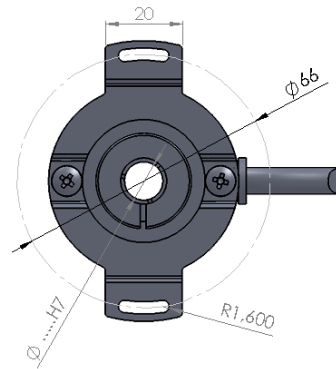


**MECHANICAL DIMENSIONS**

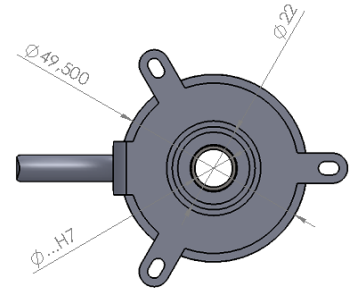
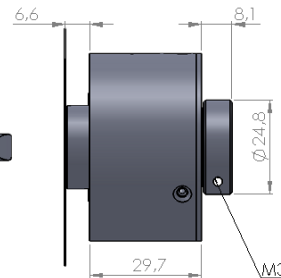
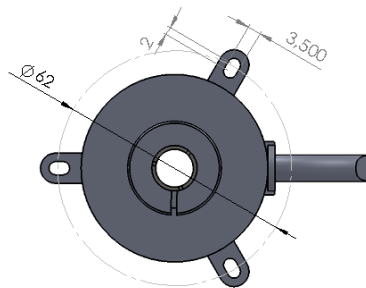
**FZ - "Z" Type Flange**



**FC – Circular Flange**



**B – Backside Flange**



**ORDER CODING**

**Series**

ARC : Optical

**Body Diameter**

50 : 50 mm

**Power Supply and Output**

PP : 10...30 VDC Supply  
 : 10...30VDC Output  
 TTL : 5 VDC Supply  
 : 5 VDC TTL Output HTL  
 : 10...30 VDC Supply  
 : 5 VDC TTL Output  
 HPL : 5...24 VDC Supply  
 : 5...24 VDC Push-Pull Output  
 OCL : NPN Open Collector  
 OCP : PNP Open Collector

**Cable Length**

3M : 3M (Standard) 5M  
 : 5M  
 8M : 8M  
 10M : 10M

\*Optional, up to 35 meters

**Flange Type**

FZ : "Z" Type Flange  
 FC : Circular Flange  
 B : Backside Flange

ARC - H - 50 - XXX - XXX - X - XM - X - XX

**Shaft Type**

H : Hollow Shaft

**Resolution**

See Resolution\*

**Output Signals**

3 : A, B, Z  
 6 : A, /A, B, /B, Z, /Z

**Hole Length**

6 : 6 mm  
 8 : 8 mm  
 10 : 10 mm

**\*Resolutions:**

60 - 100 - 500 - 1024 - 2000 - 2048 - 3600 - 5000 (Optional)

**Atek Sensor Technology A.S.**



Tel: 021 66 3939 00  
 Mob: 0912 147 3023  
 www.IranAtek.ir

Tuzla Kimya Sanayicileri Org. San. Bolg. Melek Aras Bulvari, No:67 34956 Tuzla - Istanbul / TURKEY  
 Tel: +90 216 399 44 04 Fax: +90 216 399 44 02  
[www.ateksensor.com](http://www.ateksensor.com) [info@ateksensor.com](mailto:info@ateksensor.com)