



- Contactless and Wear-Free System
- High Tolerance to Shock and Vibration
- Resistant to Dirt, Humidity and Dust
- Requires No Cleaning or Maintenance
- Robust Shielded Metal Enclosure
- Protection Class IP67
- Compact Design

The encoder forms a compact unit. The scanning unit is guided within the housing along scale.

Long life linear motion guide system. The scale, scanning unit and guide are protected against contamination by an aluminum extrusion and elastic sealing lips.

The coupling elements between the scanning carriage and transfer web are designed to transfer motion in the measuring direction only.

Pitch or other motion of the connecting web in a direction perpendicular to measurement is compensated without affecting accuracy.

MLC 320 Series Linear Encoders Are Mainly Used In:

- Lathes, Milling, Drilling, Grinding Machines
- Sheet Metal Working Machines
- Welding Machines
- Bending Machines
- Robotics/Materials Handling
- Marble Machines
- Wood Cutting Machines
- PVC Profile Cutting Machines
- Glass Working Machinery
Etc...

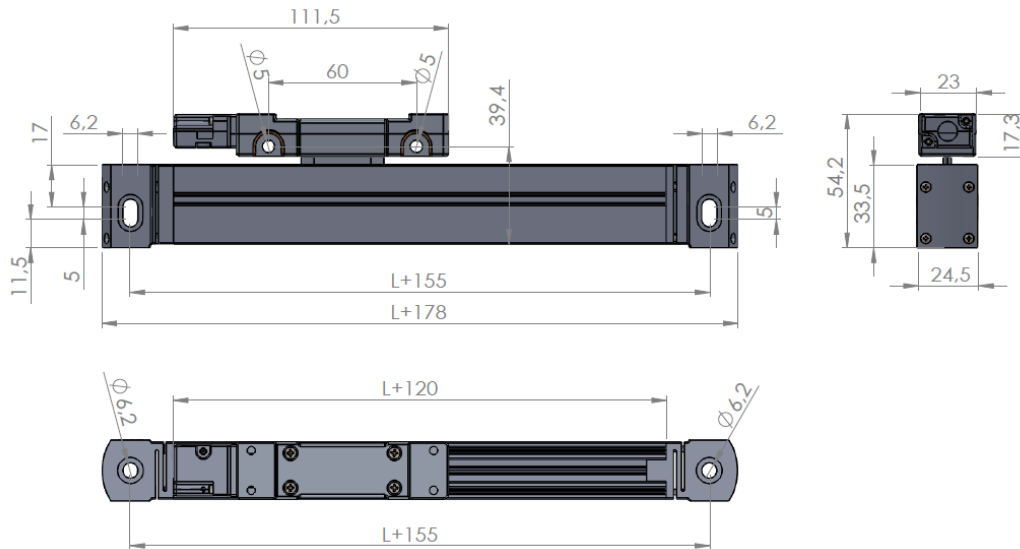
Technical Specifications

Resolution	5µm, 10µm, 25µm, 62.5µm (or on request)
Output Type	Push-Pull or TTL RS422 Line Driver
Output Signals	A, /A, B, /B, Z, /Z
Input Current	Maximum 40 mA per Channel
Power Supply	PPL: 10..30 VDC or TTL: 5 VDC
Housing Material	Sensor: Nickel Plated Aluminum Scale Profile: Anodized Aluminum
Electrical Connection	Max. 50 m Cable
Magnetic Tape Pole Length	5 mm, 2 mm, 1mm
Travel Velocity	3 m/s
Repeatability	± 1 Pulse
Operating Temperature	-25 to +85°
Protection Class	IP67

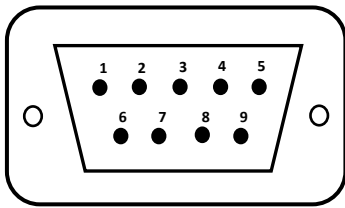
Measurement Stroke (mm)

100	120	150	170	200	220	250	270	300	320
350	370	400	420	450	470	500	520	550	570
600	650	700	750	800	850	900	950	1000	

Mechanical Dimensions



Pin Connections



Pin Number	Cable Colour	Signal
1	Yellow	A
2	White	/B
3	Red	POWER SUPPLY
4	Black	0 V
5	Blue	/A
6	Green	B
7	Grey	/Z
8	Pink	Z
9	Shield	GROUND

Order Code

MLC320 - **XX** - **XX** - **XXX** - **X** - **XX** - **X** - **XXX mm**

Model

Magnetic Tape
B5
B2

Resolution
01 : 1µm | 05 : 5µm
10 : 10µm | 25 : 25µm
62 : 62,5µm | 80 : 80µm
100 : 100µm

Power Supply and Output
TTL : 5VDC ± %5 Power Supply
5 VDC TTL RS422 Line Driver Output
PPL : 24 VDC ± %20 Power Supply
24 VDC Push-Pull Output
HTL : 24 VDC ± %20 Power Supply
5 VDC TTL RS422 Line Driver Output

Signal Output Type
2 : A, B
3 : A, B, Z
4 : A, /A, B, /B
6 : A, /A, B, /B, Z, /Z

Cable Length
3M : 3 Meters
5M : 5 Meters
8M : 8 Meters
10M : 10 Meters
* Optional Between 5m to 50m

Sensor Type
C : Cable
S : Spiral

Measuring Stroke
Optional, User Defined

Iran agent

Atek Sensor Technology A.S.



Tel: 021 66 3939 00
Mob: 0912 147 3023
www.IranAtek.ir

Tuzla Kimya Sanayicileri Org. San. Bolg. Melek Aras Bulvari, No:67 34956 Tuzla - Istanbul / TURKEY
Tel: +90 216 399 44 04 Fax: +90 216 399 44 02
www.ateksensor.com info@ateksensor.com