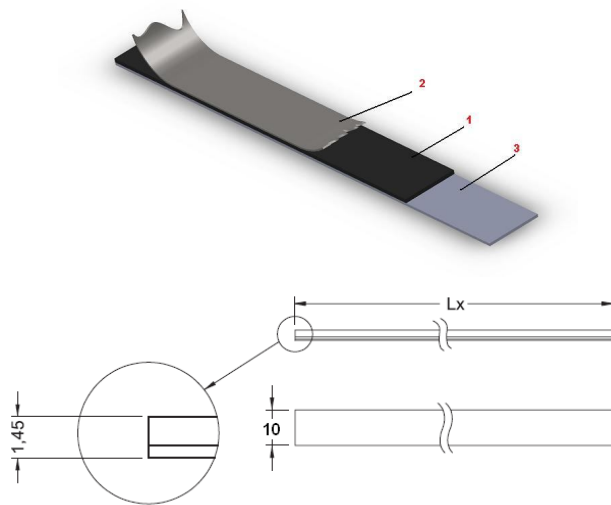




- Easy mounting by glueing
- 5 mm or 2mm pole length
- High accuracy
- Standart $\pm 40 \mu\text{m}/\text{m}$ optional $\pm 20 \mu\text{m}/\text{m}$
- Protection class IP67
- Resistant to humidity
- Stainless stell cover strip (Upside and Downside)
- Up to 100 m available

The magnetic band is supplied with a non-magnetic stainless steel cover for physical protection; for its fixing an adhesive tape is pre-mounted. As shown above, the B5 magnetic tape is composed by three layers:

- 1 - A flexible magnetic tape made of plastic material (Resistant to debris, liquids and oils)
- 2 – Cover Strip (Upside) :A magnetised steel tape used to create a shield against any external magnetic disturb. Although, it’s glued to the upper plastic layer in order to supply the correct mechanical consistency to the magnetic tape.
- 3 - Cover Strip (Downside) The third part is the most rigid one and therefore is supplied separately due to transport and application needs. It must be stick to layer 1 by the user. The steel tape is magnetically neutral and employed to mechanically protect the magnetic tape.



B Series Magnetic Tape Specifications

| | |
|-------------------------|---|
| Operating temperature | -40°C to +120°C |
| Pole Pitch | 5 mm , 2 mm |
| Accuracy Class | $\pm 40 \mu\text{m}/\text{m}$ or $\pm 20 \mu\text{m}/\text{m}$ |
| Temperature coefficient | $11 \pm 1 \mu\text{m}/\text{K}$ |
| Storage temperature | -40°C to +120°C |
| Water Protection | CrNi 17 7 stainless steel carrier nitrile rubber high temperature magnetic tape |

Order Code

Model No

B - **5** - **4** **0** - **5** **0** **0** **mm**

Accuracy Class

40 : 40 micron (Standart Model)
20 : 20 micron

Included in Delivery

2 units with plastic fixing piece

Pole Length

5 : 5 mm
2 : 2 mm

Defined Stroke Range

Several standard lengths from 50 mm to 100 meters